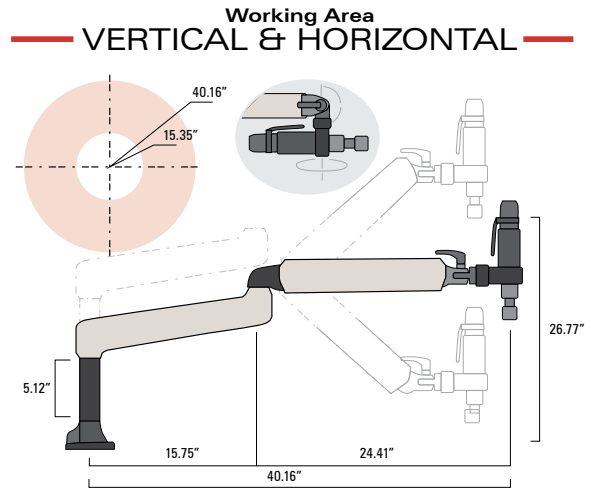


- Air motor engineered for tapping
- Heavy duty cast aluminium construction
- Uses size 1 tap adapters for quick change
- Single speed motor

TAP VERTICAL OR
 VERTICAL & HORIZONTAL

REACH → 37" ↑ 26"



800



400

TAP UP TO 1/2" MILD STEEL



EDP	ORIENTATION	SPEED RPM	CAPACITY - INCH		CAPACITY - METRIC		PRICE
			STEEL	ALUMINUM	STEEL	ALUMINUM	
U81000A	Vertical	400	1/2"	9/16"	M12	M14	\$2,595.00
U82000A	Vertical & Horizontal						\$2,995.00
U85000A	Vertical	800	5/16"	3/8"	M8	M10	\$2,295.00
U86000A	Vertical & Horizontal						\$2,695.00



drill tap Tables

DRILL TAP TABLE 27	
27 1/2" X 27 1/2" X 28"	
U1105A	\$995.00
U1108A	\$1,095.00
U1000A	\$995.00
U1107A	\$1,095.00

DRILL TAP TABLE 34	
34 1/2" X 34 1/2" X 28"	
U1106A	\$1,195.00
U1110A	\$1,295.00
U1102A	\$1,195.00
U1109A	\$1,295.00

	Standard Adjustable Feet
	Standard Adjustable Feet with Drawer
	Mobile Heavy Duty Casters
	Mobile Heavy Duty Casters with Drawer

TAP ADAPTERS



Torque Control
\$74.84 ea.
 (All Sizes)

TORQUE CONTROL SIZE 1	TAP SIZE			RIGID SIZE 1
	EDP	ANSI	ISO	
U11800B	#0 - 6	M1.6-M3.5	#1- 4	U11600B
U11801B	#8	M4	#5	U11602B
U11802B	#10	M5	#6	U11604B
U11803B	#12	--	#8	U11605B
U11804B	1/4"	M6	#10	U11606B
U11805B	5/16"	M8	1/4"	U11607B
U11806B	3/8"	M10	5/16"	U11608B
U11807B	7/16"	M11	--	U11611B
U11808B	1/2"	M12	3/8"	U11612B
U11809B	9/16"	M14	7/16"	U11613B
U11810B	1/8" NPT			U11609B



Rigid
\$29.84 ea.
 (All Sizes)



**Medium Duty
Clamp**
\$161.78
 EDP UA0001A



**Heavy Duty
Clamp**
\$461.76
 EDP UA0002A



**ER Collet Chuck
Adapter**
 Size 1 - 19/11-ER16
\$105.90
 EDP U11750A